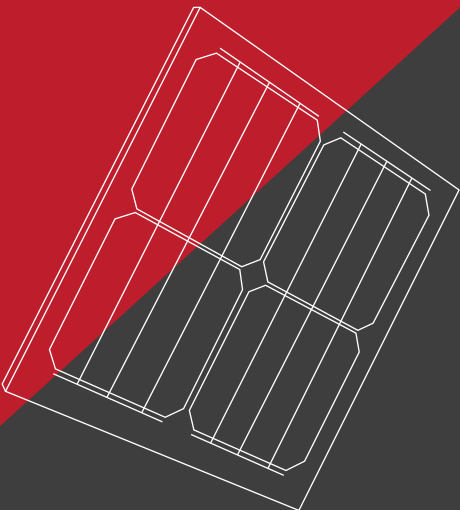
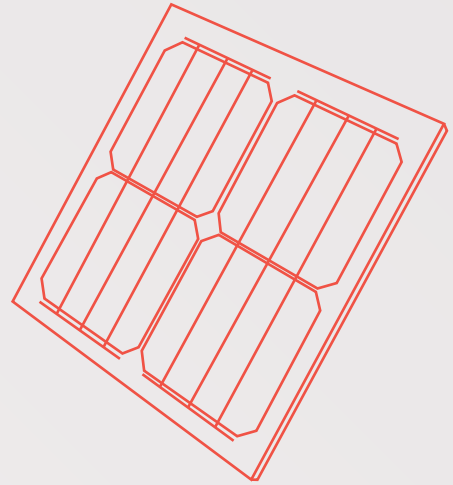


GINTUNG

同昱能源科技股份有限公司
Gintung Energy Corporation



GTEC-G6S6A series

Electrical Characteristics

Identical Specification to Commodity ASEC-275G6S6A~ ASEC-295G6S6A

Model	GTEC-275G6S6A	GTEC-280G6S6A	GTEC-285G6S6A	GTEC-290G6S6A	GTEC-295G6S6A
Maximum Power (Pmax)	275wp	280wp	285wp	290wp	295wp
Maximum Power Voltage (Vpm) [V]	30.35	30.50	30.68	30.92	31.09
Maximum Power Current (Ipm) [A]	9.06	9.18	9.29	9.38	9.49
Open Circuit Voltage (Voc) [V]	37.83	38.08	38.32	38.51	38.70
Short Circuit Current (Isc) [A]	9.44	9.55	9.66	9.78	9.90
Module efficiency [%]	17.07%	17.38%	17.69%	18.00%	18.31%
Temperature coefficient of P max [%/K]			-0.4213		
Temperature coefficient of Voc [%/K]			-0.2972		
Temperature coefficient of Isc [%/K]			0.0499		
Series Fuse [A]			12		
Maximum System Voltage [V dc]			1000		
NOCT			43.3°C		

※ Measured at Standard Test Condition (STC): Irradiance of 1000W/m², AM 1.5, and Cell Temperature 25°C

※ Normal Operating Cell Temperature (NOCT): Irradiance of 800W/m², Temperature 20° C, Wind Speed 1m/s

Mechanical Characteristics

Cell Type	6 inch (3BB / 4BB)
Cell Configuration	60 in series
Cable Length (mm)	1000
Dimension (mm)	1629 x 989 x 40
Weight (kg)	19.0
Backsheet Color	White / Black
Frame Color	Silver / Black
Connectors	MC4 compatible

※ Color of backsheet and frame can be customized.

※ Dimension tolerance +/- 1.5mm.

Qualification Test Conditions

Temperature Cycling Range	-40°C to +85°C
Static Load	5400pa
Hailstone Impact	25mm hail at 23m/s

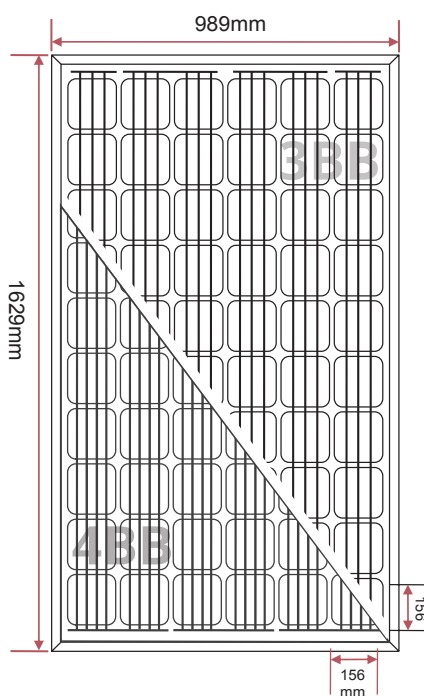
Warranties

Performance	12 years 90% Power Guarantee
	25 years 80% Power Guarantee

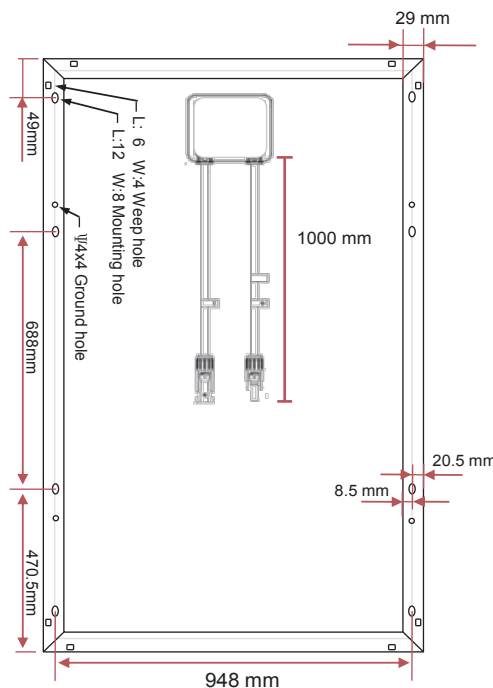
Certificates



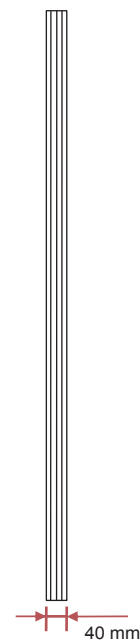
Technical drawing



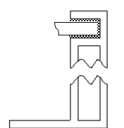
Front View



Back View



Side View



Frame Section View

Note: Design and specifications are subject to change without notice.

This document is the exclusive property of GINTUNG and shall not be reproduced or copied or transformed to any other format without prior permission of GINTUNG.




Longtan Plant

No. 65-11, Jiuzuoliao, Wuhan Village, Longtan Dist, Taoyuan City
325, Taiwan (R.O.C).

T : +886-3-4798538

F : +886-3-4707427



Guanyin Plant

No. 98, Ronggong S. Rd., Guanyin Dist, Taoyuan City
328, Taiwan (R.O.C).

T : +886-3-4160222

F : +886-3-4160240



GINTUNG

W www.gtectw.com

E sales@gtectw.com